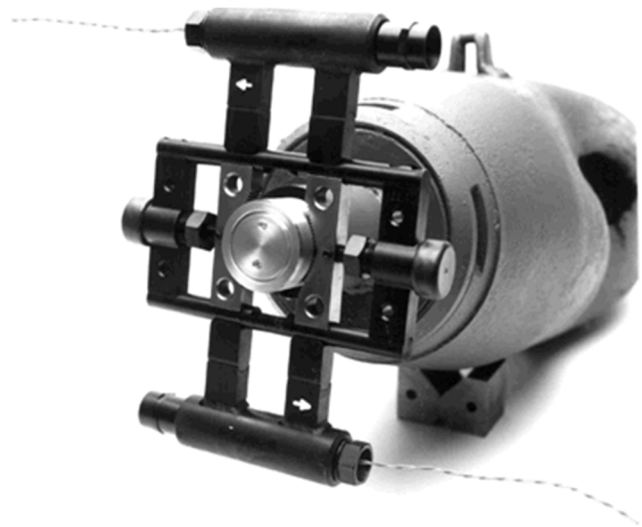




Rocket Wrench AME-01

In EOD avoiding detonation of unexploded bombs is the prime objective. Render Safe Procedures are adopted for which different tools are available for breaking the detonation train by attaching the bomb fuze.

Bomb Fuse extractor 'Rocket Wrench' AME-01 is a high torque, remotely operated dynamic wrench. It is designed to unscrew and remove bomb fuse mechanisms. Two rocket tubes with cartridges fired in opposite directions, when initiated, rotate the wrench. Different jaws are provided to hold the wrench firmly onto different fuze shapes.



Components

- Wrench with pair of Rocket Tube and Venturies.
- Taper Jaws/ Roller Jaws.
- Electrical and Det-Cord Plugs.
- Bungee Cord Set.
- De-bulleting kit
- Packing box

When fired, a bungee cord tied to a stump pulls the rotating wrench away from the bomb body. The Rocket Wrench kit can also be powered using 0.50 inch cartridges by removing its bullet. De-bulleting equipment is also supplied with the kit. It can generate torque in both clockwise and anti-clockwise directions.