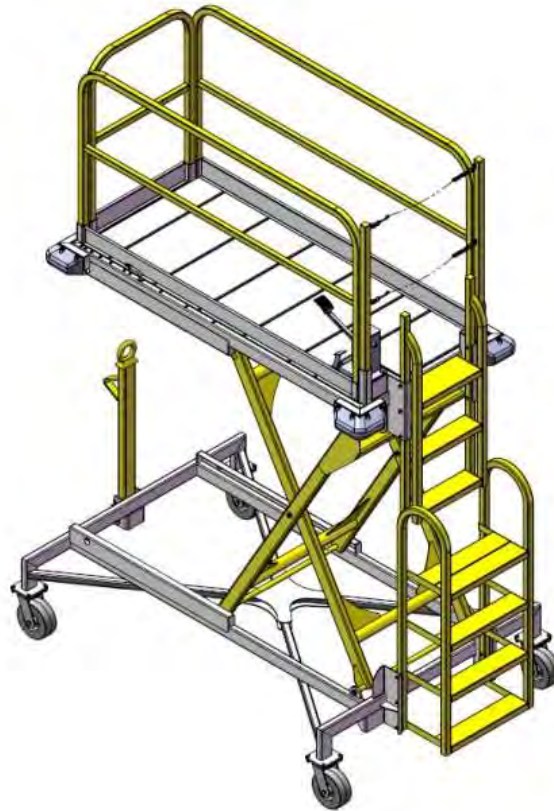


# B4 Maintenance platform



B-4 is a folding type maintenance stand, with scissors lift adjustable height platform and ladder assembly. With a caster base, it is highly maneuverable. The stand is hydraulically raised and lowered a foot pedal hydraulic pump and piston assembly. When the platform is raised to the desired height, it is manually locked with lock-pins. The platform is lowered to the down position by manually opening a release valve on the pump, allowing the fluid to return to the reservoir and the piston to retract. It will support a maximum weight of 500 pounds on the platform.

- Heavy-duty epoxy powder-coated paint on user's color request.
- Easy to operate, high-capacity foot operated pump.
- Heavy duty locking swivel casters with independent brake.
- Integrated tow-bar.
- Non-skid deck platform.
- Telescoping ladder to allow access at any height.
- 500 lbs load capacity.

## Specifications

Title	Parameter	Title	Parameter
Platform Height	3 to 7	Steps	7
Platform Size (ft)	2.5 x 6.5	Load Capacity	500 lbs
Base dimension (ft)	8.5 x 5.1	Shipping Weight	1100 lbs
Comparable to Part No/ NSN	54J6345 1730-00-294-8883 1730-01-596-9017	Shipping Dimension (ft)	Length – 8.5 Width – 5.25 Height – 6.5

